

aiwa



TOASTER OVEN

4 SLICE WITH BAKING TRAY

Model Number: WTO1-1002-BLK


Customer Service: 833-902-2335

aiwasupport@xtremeconnected.com

IMPORTANT SAFEGUARDS

ATTENTION

- If the power cord is damaged, it must be replaced by the manufacturer or similarly qualified person in order to avoid a hazard.
- This appliance is for household and indoor use only.
- Do not use outdoors.
- This appliance is not intended to be operated by means of an external timer or separate remote-control system.
- The temperature of all accessible surfaces may be very high while this appliance is operating.

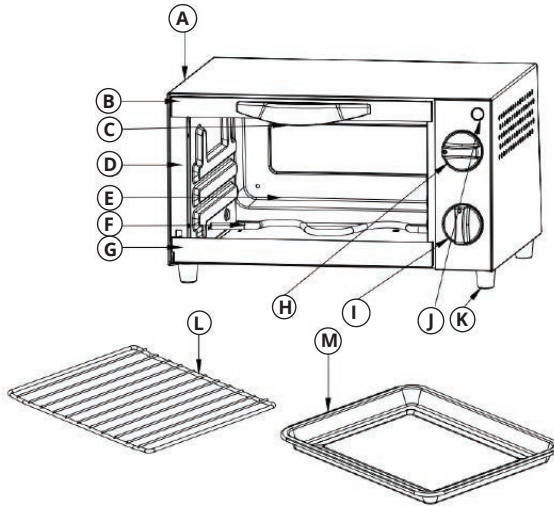
NOTE: Symbol  meaning: WARNING, HOT SURFACE!
Do not place items on top of unit.

- With correct instruction and supervision, this appliance can be used by children aged 8 years and above and by people with reduced physical, sensory or mental capabilities.
- Children under the age of 8 should not use this appliance.
- Keep this appliance and its cord out of the reach of children under 8 years old.

When using your AIWA toaster oven, basic safety precautions should always be followed to reduce the risk of fire or safety hazards including:

1. Please read all instructions before use.
2. To protect against any electrical hazards, DO NOT place this unit or cord in water or any other liquids.
3. DO NOT touch any hot surfaces. Use oven mitts for removing toaster oven trays or touching any hot parts. Always place this toaster oven on a heat protected surface.
Close supervision is always necessary when this appliance is used by or near children.
4. UNPLUG this oven from the outlet when it's not in use, and also before cleaning. Always allow it to cool before attaching or removing any parts.
5. The use of accessory attachments is not recommended as this may cause injuries.
6. Always remove the plug from the wall outlet – never pull by the cord. Remove the plug from the wall before moving the appliance. Use both hands to move the appliance.
7. DO NOT place any containers inside of this toaster oven, unless they are oven safe.

PARTS OF APPLIANCE



- A. Housing
- B. Upper door clip
- C. Door handle
- D. Front plate
- E. Glass door
- F. 'S' Shape heating element
- G. Down door clip
- H. Temperature control knob
- I. Timer knob
- J. Indicator light
- K. Oven foot x 4
- L. Wire rack
- M. Bake tray

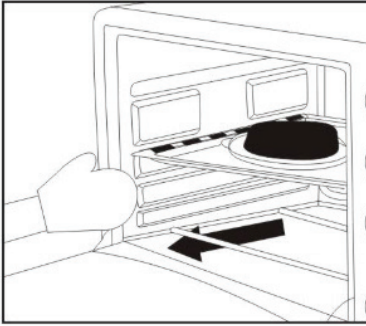
BEFORE FIRST USE

Before using your oven for the first time be sure to:

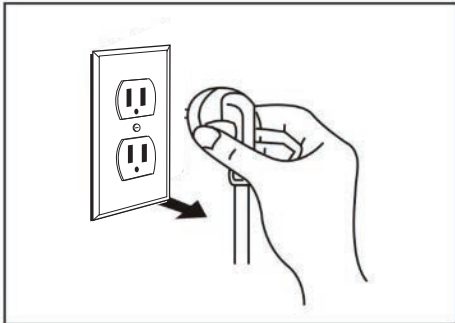
1. Make sure that the oven is unplugged and the TIMER switch is in the OFF position.
2. Remove all rack and pans and wash them in hot, soapy water or in the dishwasher.
3. Thoroughly dry all accessories and re-assemble in oven. Plug the power cord into an outlet and you are ready to use your new oven.
4. After re-assembling your oven, we recommend that you run in at the max temperature setting for approximately 15 minutes to eliminate any dirty oil on its surface.
5. If step 4 is not taken, the oven may emit smoke with first time use under normal operating procedure and will disappear after 5 minutes.

OPERATION

1. Put the power cord in the socket.
2. Set your desired temperature using the Temperature Control Knob.
3. Pre-heat the toaster oven for approximately 15 minutes.
4. Put the food into the oven. Use the baking tray on lower rack if needed.
5. Set your desired time using the Timer Knob.
6. Use oven mitt to carefully take out the food when this process is finished.



7. Unplug the power cord from the outlet.



CLEANING

1. It is recommended that you clean the entire appliance after each use to prevent an accumulation of grease and unpleasant odors.
2. Allow the appliance to cool and unplug from outlet before cleaning.
3. Do not immerse this appliance in water.
4. Removable grill tray can be washed, the same as normal kitchenware.
5. Clean the outside of this appliance with a damp sponge.
6. Do not use abrasive cleaners or sharp utensils to clean the oven, as it will scratch the oven body.
7. Let all parts and surface dry thoroughly before operating again after cleaning.

ONE YEAR WARRANTY

AIWA warrants its products for one year against defects in manufacturing under regular consumer use with original receipt of retail purchase. We believe in our products and want to provide you with a replacement, if needed, but we have to know about the problem while the product is still under warranty. If you discover a defect covered by this warranty, please contact us about receiving a replacement. In order to use the products warranty the customer must provide proof of the retailer's receipt.

*Any customers outside of the U.S. will be responsible for shipping and handling charges if a replacement is required that is not due to a manufacturing defect.

AIWA's warranty is limited to our products only. Our warranty does not cover the replacement or repair cost of any third-party accessory, electronic device or personal property.

For instructions about how to obtain warranty service for your product and product support, please contact Customer Service: 833-902-2335.

Content is subject to change without prior notice. Some content may differ from how the product works with your specific device.

Includes:

Toaster Oven, Bake Tray, Wire Rack, User Manual

SPECIFICATIONS:

Rated Power:750W

Voltage:120V

Frequency:60Hz

Capacity: 9L

©2023 Aiwa Acquisitions LLC. AIWA and associated marks are owned by Aiwa Acquisitions and used under license. Licensed and Manufactured by Xtreme Connected Home, Inc.

Please call for customer support: 833-902-2335

