

# aiwa

## Portable CD Player



# SAFETY PRECAUTIONS

## 1. READ AND FOLLOW ALL INSTRUCTIONS. HEED ALL WARNINGS .

2. Do not use device near water.
3. Clean only with dry cloth.
4. Do not block any ventilation openings.
5. Keep external objects away at a minimum distance of 4 inches around the device for sufficient ventilation.
6. The ventilation should not be impeded by covering the ventilation openings with items, such as newspapers, table-cloths, curtains, etc.
7. No naked flame sources, such as lighted candles, should be placed on or next to the device.
8. Do not operate near any heat sources such as radiators, heat registers, stoves, or other devices (including amplifiers) that produce heat.
9. Only use attachments/accessories specified by the manufacturer.
10. Unplug this device during lightning storms or when unused for a long period of time.
11. This appliance shall not be exposed to dripping or splashing water and that no object filled with liquids such as vases shall be placed on or next to the device.
12. Upon completion of any service or repairs to this product, ask the service technician to perform safety checks.
13. Object and Liquid Entry - Never push objects of any kind into this product through openings as they may touch dangerous voltage points or short-out parts that could result in a fire or electric shock. Never spill liquid of any kind on the product.
14. Damage Requiring Service - Unplug this product from the wall outlet and refer servicing to qualified service personnel under the following conditions:
  - a) If liquid has been spilled, or objects have fallen into or onto the product.
  - b) If the product has been exposed to rain or water.
  - c) If the product does not operate normally by following the operating instructions. Adjust only those controls that are covered by the operating instructions as an improper adjustment of other controls may result in damage and will often require extensive work by a qualified technician to restore the product to its normal operation.
  - d) If the product has been dropped or damaged in any way.
  - e) When the product exhibits a distinct change in performance.
15. Disconnect plugs completely from sockets.
16. Do not expose batteries to excessive heat.
17. Excessive sound pressure from earphones and headphone can cause hearing loss.
18. Dispose batteries properly based on local laws and regulations.

## FOLLOW THE ADVICE BELOW FOR SAFE OPERATIONS

### ON PROTECTION AGAINST LASER ENERGY EXPOSURE:

- As the laser beam used in this compact disc player is harmful to the eyes, do not attempt to disassemble the casing.
- Stop operation immediately if any liquid or solid object falls into the cabinet.
- Do not touch the lens or poke at it. If you do, you may damage the lens and the player may not operate properly.
- Do not place any object that is not a suitable disc inside the CD compartment. The laser diode will stay ON while the CD door is kept open. Do not keep the CD compartment door open.
- If the device is unused for a long period of time, make sure that all power sources are disconnected from the device. Remove all batteries from the battery compartment.
- This device employs a laser. The use of controls or adjustment or performance of procedures other than those specified here may result in exposure to hazardous radiation.
- This device should not be adjusted or repaired by anyone except qualified service personnel.

### CLASS 1 LASER PRODUCT

CLASS 1 LASER PRODUCT  
APPAREIL LASER DE CLASSE 1  
PRODUCTO LASER DE CLASE 1

CAUTION  
INVISIBLE LASER RADIATION  
WHEN OPEN AND INTERLOCKS  
DEFEATED.  
AVOID EXPOSURE TO BEAM

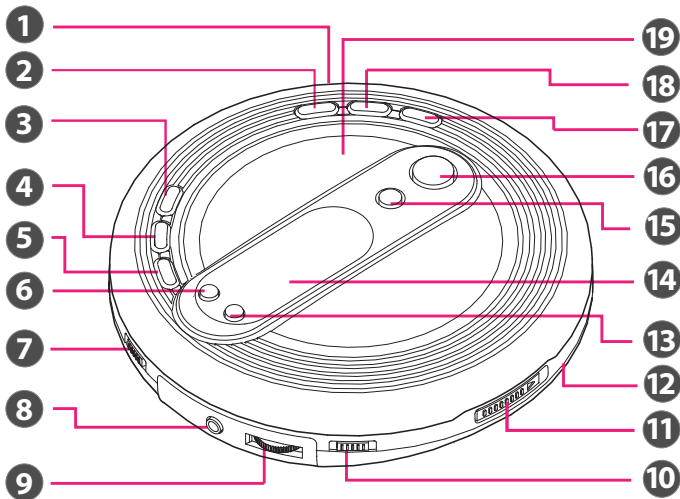


This product contains a low power laser device.

# WHAT'S INCLUDED

- AI7003 Portable CD Player
- Wired Earbuds
- 2x AA Batteries
- User Manual

# YOUR CD PLAYER



1. Micro USB Port
2. Mode Button
3. ESP Button (Anti-Shock Protection)
4. Program Button
5. Preset Button
6. Channel Up
7. Hold Switch
8. 3.5mm Headphone Jack
9. Volume Control

10. CD/Radio Switch
11. CD Door Switch
12. Battery Compartment (located at the rear)
13. Channel Down
14. Display Screen
15. Stop/Power Off Button
16. Play/Pause/Power On Button
17. Next/Forward Button
18. Back/Rewind Button
19. CD Compartment

# POWER SOURCES

## Inserting Batteries

Your CD Player takes 2 AA batteries (included).

1. Open the battery compartment at the rear of your CD player.
2. Insert batteries with the correct polarity (+,-).
3. Close the battery compartment.

### **BATTERY WARNING:**

- Do not mix old and new batteries.
  - Do not mix alkaline, standard (carbon-zinc) or rechargeable (nickle-cadmium) batteries.
  - Batteries are not to be inserted with the wrong polarity.
  - Exhausted batteries are to be removed.
  - The supply terminals are not to be short-circuited.
- Please recycle or dispose of the battery properly.  
Contact local recycling facilities and/or the manufacturer of your battery for further information

## Micro USB Cable

Your CD Player can also be powered by a Micro USB cable (not included).

1. Remove both AA batteries from the battery compartment.
2. Plug in a Micro USB connector into the Micro USB port located on the side of your CD player.
3. Plug the other side of the Micro USB cable into a suitable USB port.

## Low Battery Warning

When your CD player is running low on battery, a Low Battery Icon will appear on the display screen:



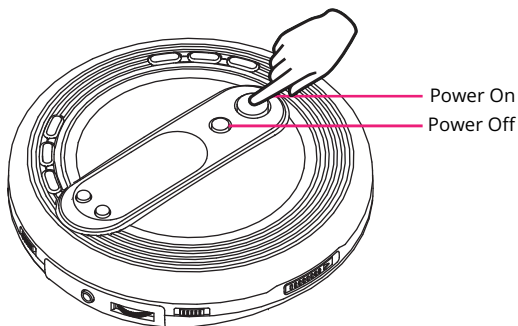
# POWERING ON/OFF

## Power On

Press and hold the Play/Pause/Power On Button to turn on the CD player. A track will automatically start to play from the loaded in disc.

## Power Off

Press the Stop/Power Off Button twice or press and hold it for thirty seconds to turn off the CD Player.

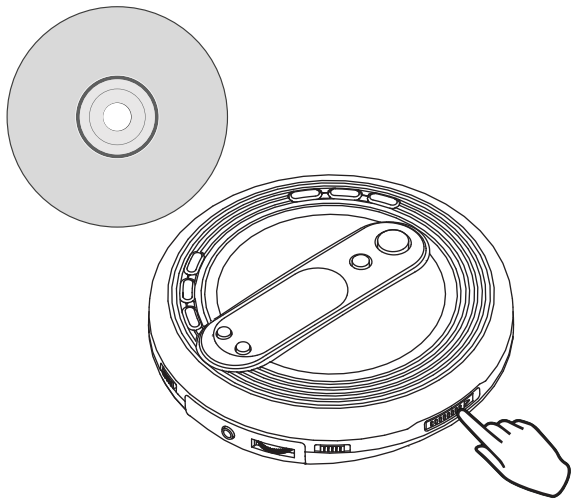


# CD FUNCTION

## Inserting a CD

Open the CD compartment by sliding the CD door switch to the OPEN position. After the CD compartment door opens, insert a CD. Once the CD is loaded in, press the Play/Pause Button to start playing.

Note: The CD will not play if the disc is damaged, scratched, or if the CD is blank and has no audio/music encoded into it.



# PLAYING MUSIC

## Music Controls

- Press the Play/Pause/Power On button to play/pause music from the CD.
- To raise and lower the volume, push the Volume Control wheel back and forth.
- Press the Next/Forward and Back/Rewind buttons to select the next or previous song.
- Press and hold the Next/Forward and Back/Rewind buttons to fast forward and rewind through any songs on the disk.
- Slide the Hold Switch back and forth to disable and enable the CD player buttons (the Volume Control wheel and CD Door switch will still be operational).

Note: As each song plays, the song number and elapsed time will show on the display screen.

## Music Modes

- To play one track on loop, press the Mode Button while the selected track is playing. To stop looping, press the Stop/Power Off Button.
- To play all songs on loop, press the Mode Button twice while the desired playlist/album is playing. To stop looping, press the Stop/Power Off Button.
- To play 10 second intros of each song, press the Mode Button three times and "INTRO" will appear on the display screen. Press the Stop/Power Off Button to turn off mode.
- To shuffle your playlist, press the mode button four times and "RAND" will appear on the display screen. Press the Stop/Power Off Button to turn off mode.

## Creating a Music Program

To create a playback order press the Stop/Power Off button. Then, press the Program Button to begin setting the playlist order.

- You will see two numbers on the display screen. The left number represents the song number and the right number represents the track slot.
- Once the "Prog" and the song number will start flashing, press the Next/ Forward and Back/Rewind buttons to change the song number. Press the Program Button to save the track in the track slot.
- Repeat this process to save up to 20 songs. Press the Play/Pause/ Power On button to stop programming.
- To play a song from this list, press the Program Button. Use the Next/ Forward and Back/Rewind Buttons to navigate to a song on your list, then press the Play/Pause/Power On Button to play.



# FM RADIO FUNCTION

## **FM Radio Mode**

To turn on FM Radio mode, slide the CD/Radio switch to the FM position to turn On the radio.

## **Auto Tuning:**

Press and hold the Channel Up or Channel Down Button to tune automatically to a random higher or lower radio channel.

## **Manual Tuning:**

Press the Channel Up or Channel Down button to manually switch radio channels.

## **Save 10 Radio Presets:**

Save 10 of your favorite radio stations using the preset feature.

-Press and hold the Preset Button to create a preset for the current station playing. A "P" followed by the preset number will flash on the display screen.

-Press the Channel Up and Channel Down buttons to select a preset slot from 01-10.

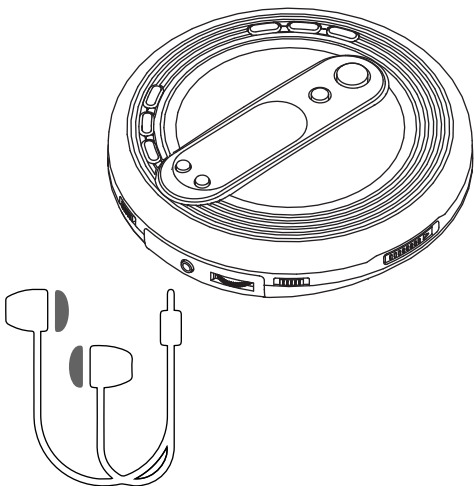
-Press the Preset Button again to confirm the setting and the station will be saved. Repeat these steps for up to 10 preset stations.

-To play a preset station, press the Preset Button. Then press the Channel up and Channel Down buttons until the desired preset number appears on the display screen.

# CONNECTING YOUR EARBUDS

Insert the wired earbuds (included) into the 3.5mm Headphone Jack located at the side of your music player to listen to your music or audio.

Note: This CD player is not equipped with an internal speaker. Wired headphones are required for audio output.



# TROUBLESHOOTING

<b>Problem</b>	<b>Possible Cause</b>	<b>Possible Solution</b>
CD player does not turn on.	Batteries are inserted incorrectly.	Make sure the + and - symbols on the batteries match the + and - symbols inside the battery compartment.
	Batteries are dead.	Replace the batteries.
	USB cable is not connected correctly.	Make sure that the USB cable is connected correctly.
CD does not play or stops playing.	CD compartment door is not closed.	Press down the CD compartment door to make sure that it is completely closed.
	Water may have condensed on the lens.	Open the CD compartment door and leave it open for about one hour to let it dry out.
	CD is inserted incorrectly.	Make sure that the CD is inserted with the label facing up.
	CD is scratched or damaged.	Try another CD.
No sound or poor sound.	Earphone plug is not firmly inserted into the earphones jack.	Insert earphone plug firmly.
	Volume is set to minimum.	Increase the volume.
	Batteries are low.	Replace the batteries.
	CD is defective.	Try another CD.
Noise or distorted sound on FM radio.	Station is not tuned properly.	Retune the FM station.
		Fully extend the earbud cord.
	Some devices and equipment can interfere with radio signals.	Move the device away from such equipment.

# ESP (ANTI-SHOCK) FUNCTION

The ESP (electronic stability program) function allows for music to play at its smoothest and least interrupted sound.

The ESP function is automatically turned On during CD playing mode. To turn ESP function On/Off, press the ESP Button on your CD player.

When ESP function is On, one of the icons below will appear on the display screen to indicate signal strength:



## SPECIFICATIONS

Music Input: CD and Radio

FM Radio Frequency Band: 87.5-108MHz

Dimensions: 1" x 5.5"

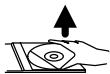
Anti-Shock Protection: 60 Seconds

Power Source: AA Batteries or Micro USB (not included)

Weight: 202 g

# CARE AND MAINTENANCE

1. Do not subject the unit to excessive force, shock, dust or extreme temperatures.
2. To prevent fire or shock hazard, disconnect your unit from the AC power source when cleaning.
3. Do not tamper with the internal components of the unit.
4. Clean your unit with a dry cloth. Solvents or detergents should never be used.
5. Avoid leaving your unit in direct sunlight or in hot, humid or dusty places.
6. Keep your unit away from heating appliances and sources of electrical noise such as fluorescent lamps or motors.
7. If interruptions or stops occur in the music during CD play, or if the CD fails to play at all, the disc's bottom surface may require cleaning. Before playing, wipe the disc from the center outwards with a soft cleaning cloth.



8. If the front panel becomes dirty or smudged with fingerprints it may be cleaned with a soft cloth slightly dampened with a mild soap and water solution. Never use abrasive cloths or polishes as these will damage the finish of your device.

**CAUTION:** Never allow any water or other liquids to get inside the unit while cleaning.

# FCC STATEMENT

Changes or modifications not expressly approved by the party responsible for compliance could void the user's authority to operate the equipment.

This device complies with Part 15 of the FCC Rules. Operation is subject to the following two conditions: (1) this device may not cause harmful interference, and (2) this device must accept any interference received, including interference that may cause undesired operation.

This equipment has been tested and found to comply with the limits for a Class B digital device, pursuant to Part 15 of the FCC Rules. These limits are designed to provide reasonable protection against harmful interference in a residential installation. This equipment generates, uses and can radiate radio frequency energy and, if not installed and used in accordance with the instructions, may cause harmful interference to radio communications. However, there is no guarantee that interference will not occur in a particular installation.

If this equipment does cause harmful interference to radio or television reception, which can be determined by turning the equipment off and on, the user is encouraged to try to correct the interference by one or more of the following measures:

- Reorient or relocate the receiving antenna.
- Increase the separation between the equipment and receiver.
- Connect the equipment into an outlet on a circuit different from that to which the receiver is connected.
- Consult the dealer or an experienced radio/TV technician for help.

# WARRANTY

This warranty covers the original consumer purchaser only and is not transferable.

This warranty covers products that fail to function properly UNDER NORMAL USAGE, due to defects in material or workmanship. Your product will be repaired or replaced at no charge for parts or labor for a period of one year.

## What Is Not Covered By Warranty

Damages or malfunctions not resulting from defects in material or workmanship and damages or malfunctions from other than normal use, including but limited to, repair by unauthorized parties, tampering, modification or accident.

To Obtain Warranty Service and Troubleshooting Information:  
Call (877) 397-8200 or visit our website at [www.aiwa.co](http://www.aiwa.co).

To receive Warranty service along with the name and address of an authorized product service center, the original consumer purchaser must contact us for problem determination and service procedures. Proof of purchase in the form of a bill of sale or receipted invoice, evidencing that the product is within the applicable Warranty period(s), MUST be presented in order to obtain the requested service. It is your responsibility to properly package and send any defective products along with a dated copy of proof of purchase, a written explanation of the problem, and a valid return address of the authorized service center at your expense. Do not include any other items or accessories with the defective product. Any products received by the authorized service center that are not covered by warranty will be returned unrepared.

