

aiwa



INFUSION KETTLE

Model Number: WTK1-1002-BLK

Customer Service: 833-902-2335

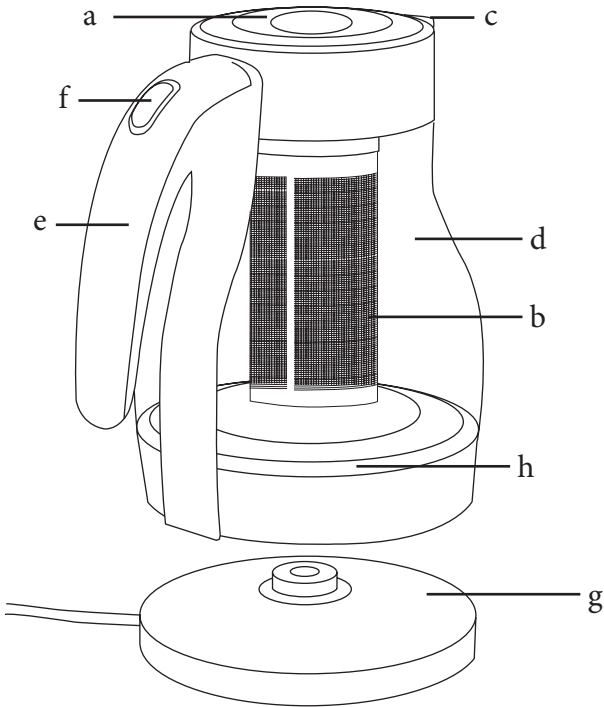
aiwasupport@xtremeconnected.com

GENERAL SAFETY INSTRUCTIONS

When using the AIWA Infusion Tea Kettle, take basic safety precautions to reduce the risk of fire, electric shock, and/or injury including the following:

- Before using this kettle, please read this instruction manual carefully, and keep in a safe place for future reference.
- Warning: Potential injury from misuse. Burns can occur from touching the appliance, hot water or steam.
- The surfaces are subject to residual heat after use. DO NOT TOUCH the glass carafe or metal insert during or just after heating. Use the handle.
- Do not fill up the kettle over the maximum level indicated on the carafe.
- Always ensure that the lid is tightly closed. Do not use the kettle without the kettle lid. Scalding may occur if the lid is off or removed while the kettle is heating.
- Do not fill the kettle glass while it is on the base.
- Do not pour liquids other than water into the carafe.
- Switch the kettle off before removing it from the base.
- DO NOT touch the contents of the kettle.
- Do not place on or near a hot gas or electric stove, in a heated oven, or near any other hot surfaces.
- Switch off the kettle and remove the plug from the AC power outlet when the kettle is not in use or when cleaning. When you disconnect the power cord of the kettle, grasp and pull the plug, not the cord/cable.
- Allow to cool before removing the diffuser filter, before cleaning the kettle, and before storing in a cabinet.
- Keep the kettle out of the reach of children or those that require supervision.
- Keep the kettle and cord/cable away from heat, direct sunlight, water, moisture, and freezing temperatures.
- Do not let cord hang over edge of table, be closed on by a door, or anywhere it could be damaged or cause a fire hazard. Keep it away from sharp edges.
- Regularly check that the kettle is operating properly and that there is no damage to the cord/cable, base, and power plug. Stop using the kettle, unplug it immediately if there is damage or and contact customer service..
- Do not disassemble or attempt to repair the kettle yourself. Contact customer service.
- Do not use the carafe if glass is cracked or broken. If the carafe is broken, be careful when collecting the glass as it could be hot and sharp.
- To reduce the risk of injury, do not drape cord over the counter top or table top where it can be pulled on by children or tripped over accidentally.

- The base of the kettle is not water-resistant, keep it dry at all times.
- Do not place the kettle, or the base, in water or come in contact with liquid.
- Do not handle the kettle with wet or moist hands. Should the kettle become wet or moist, remove the main plug from the socket immediately.
- Avoid water spillage on base's connector.
- The kettle is only to be used with the base provided.
- Only use original supplied parts. Do not connect incompatible products.
- For safety reasons, a short power cord is attached to the power base, to reduce the risk of entanglement or tripping. We do not recommend using an extension cord, but if one is absolutely necessary, its rating must at least match the kettle's electrical rating and the cord must be arranged so that it does not pose a tripping hazard or a risk of pulling the kettle off the table/counter top.
- This kettle is intended exclusively for private household use and not for commercial use.
- Only connect the kettle to a properly installed U.S. standard 110-120V 60Hz AC power outlet.
- For safety reasons, the power base has a polarized power plug (one blade is wider than the other) so that it can only be inserted one way into a polarized electrical outlet. If the plug does not fit properly into the outlet, contact a qualified electrician. Do not attempt to modify the plug in any way.
- Do not use the kettle outdoors.
- Use the kettle only for its intended purpose.
- The kettle can be stored in the refrigerator when tea has cooled.
- Only put tea in the tea filter.



- a. Kettle Lid
- b. Metal Tea Infusion Filter
- c. Spout Filter
- d. Glass Carafe
- e. Handle
- f. On/Off Switch
- g. Power Base
- h. LED Lights

BEFORE FIRST USE

Before using the kettle for the first time, fill the kettle with cold water, and boil it twice without any additives, and then discard the water. Repeat the process 2 to 3 times. Do not Fill past MAX fill line. The kettle will now be ready for use.

OPERATION

The kettle should only be used for boiling water or tea. Do not pour liquids other than water or put other ingredients into the carafe.

To fill the kettle, remove it from the power base and remove the cap. Fill the kettle with water. The water level must be between the MAX. and MIN. marks on the carafe.

NOTE: Only use cold water when filling the kettle. Do not overfill kettle, as boiling water may be ejected if overfull.

A. Making Tea

1. Remove the lid from the kettle, and remove the infuser tea filter from the lid by twisting rightsliding it off.
2. Put the tea bag(s) or tea leaves in the bottom of the infuser filter (not included).
3. Slide the tea filter back into the groves in the bottom side of the lid. Using the MIN and MAX water level indicator marks, fill the kettle with water. The water level must be between the MAX. and MIN. marks.
4. Place the kettle on the base. Make sure to align the bottom of the kettle with the center of the base.
5. Switch the kettle to the ON position, as signified by the "I" icon. The control lamp on the water indicator will show that the water is being boiled.
6. After boiling, the kettle will switch off automatically and the power switch will automatically switch to the OFF position, as signified by the "O" icon.

NOTE: Do not open the lid when pouring.

Boiling can be canceled at any time by switching the power switch to the OFF position.

B. Boiling water

To boil water, you do not need the infuser tea filter to be installed.

1. Remove the kettle from the base and remove the tea filter.
2. Follow the #2 to #6 steps from the Making Tea section.

CLEANING

- Always remove the plug from the mains supply before cleaning the kettle, and let the kettle cool down..
- The exterior of the kettle should be cleaned with a slightly damp cloth without additives.
- A dry cloth should always be used to clean the base.
- Do not immerse the appliance in water or any other liquids.
- The calcium filter can be removed for cleaning.
- The tea filter can be disassembled and removable for cleaning.
- Do not use abrasive cleaning materials to clean the appliance.
- Do not clean any parts of the appliance in the dishwasher.

NOTE: Despite regular cleaning it is normal for some discoloration to appear over time due to the tea and minerals in the water.

ONE YEAR LIMITED WARRANTY

AIWA warrants its products for one year against defects in manufacturing under regular consumer use with original receipt of retail purchase. We believe in our products and want to provide you with a replacement, if needed, but we have to know about the problem while the product is still under warranty. If you discover a defect covered by this warranty, please contact us about receiving a replacement. In order to use the products warranty the customer must provide proof of the retailers receipt.

*Any customers outside of the U.S. will be responsible for shipping and handling charges if a replacement is required that is not due to a manufacturing defect. If there is not a manufacturing defect, shipping and handling will be applied.

AIWA's warranty is limited to our products only. Our warranty does not cover the replacement or repair cost of any third-party accessory, electronic device or personal property.

For instructions about how to obtain warranty service for your product and product support, please contact Customer Service: 833-902-2335.

Content is subject to change without prior notice. Some content may differ from how the product works with your specific device.

©2023 Aiwa Acquisitions LLC. AIWA and associated marks are owned by Aiwa Acquisitions and used under license.

Licensed and Manufactured by Xtreme Connected Home, Inc.

Includes:

Electric Kettle, 360° Rotary Base, Tea Infuser, Stainless Steel Lid
User Manual

SPECIFICATIONS:

Operating Power: 900-1100W

Operating Voltage/Current: 110-120V/8.18-9.16A

Frequency Response: 50/60Hz

Capacity: 1.7L

